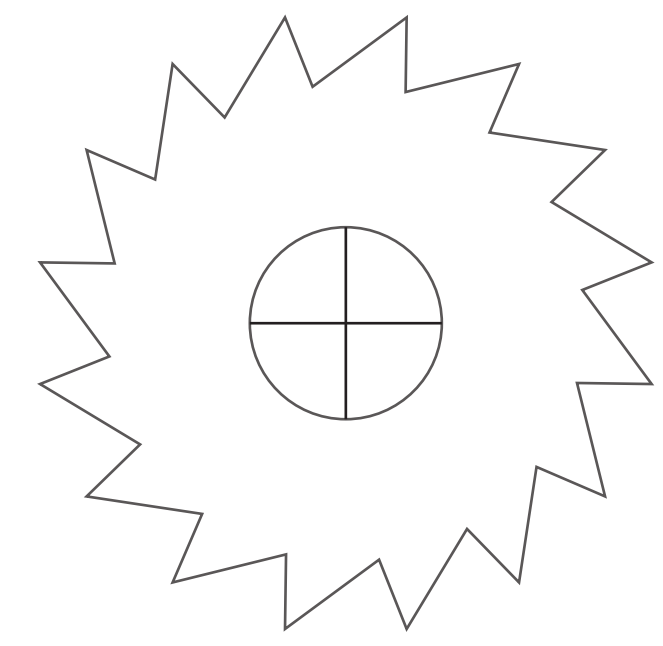
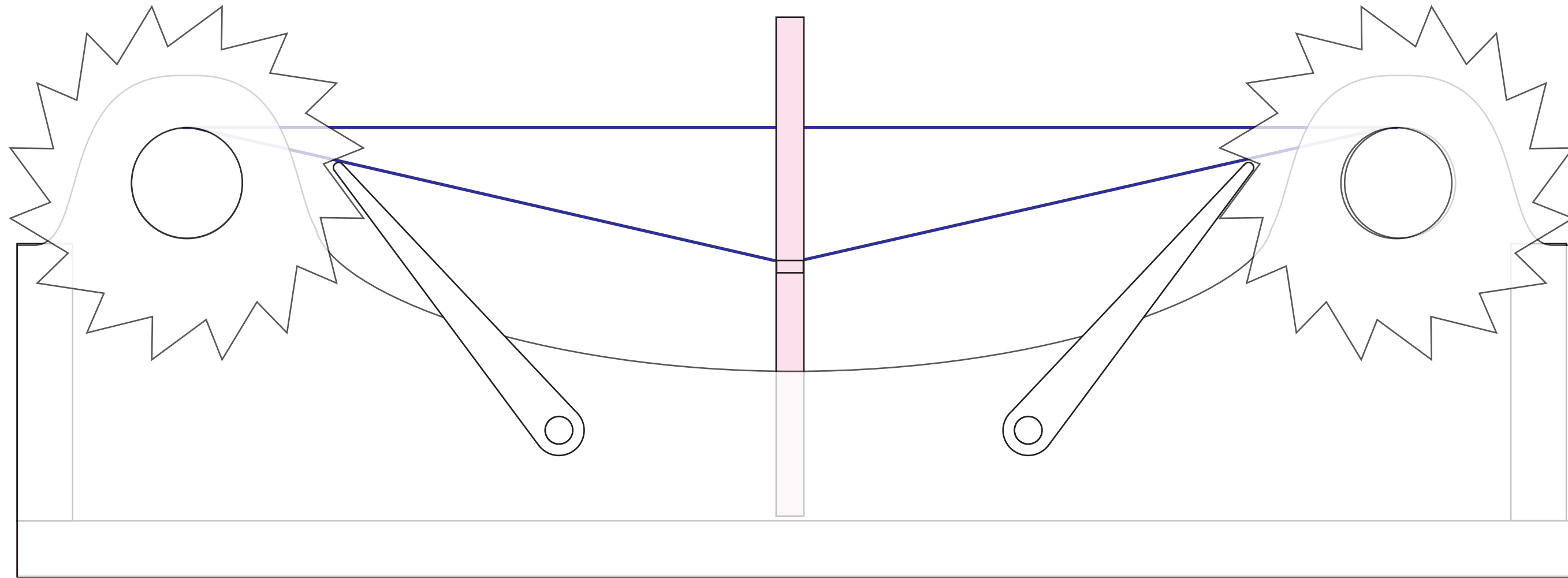
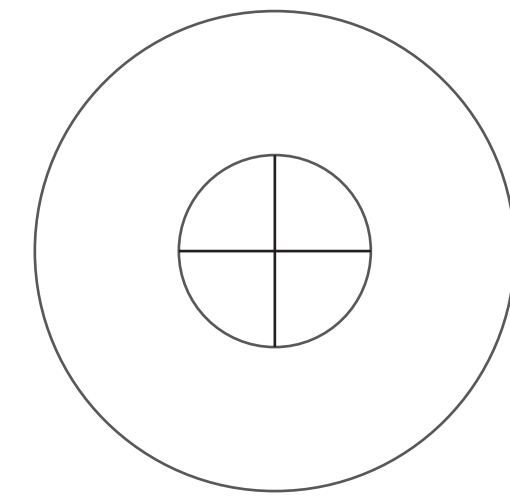


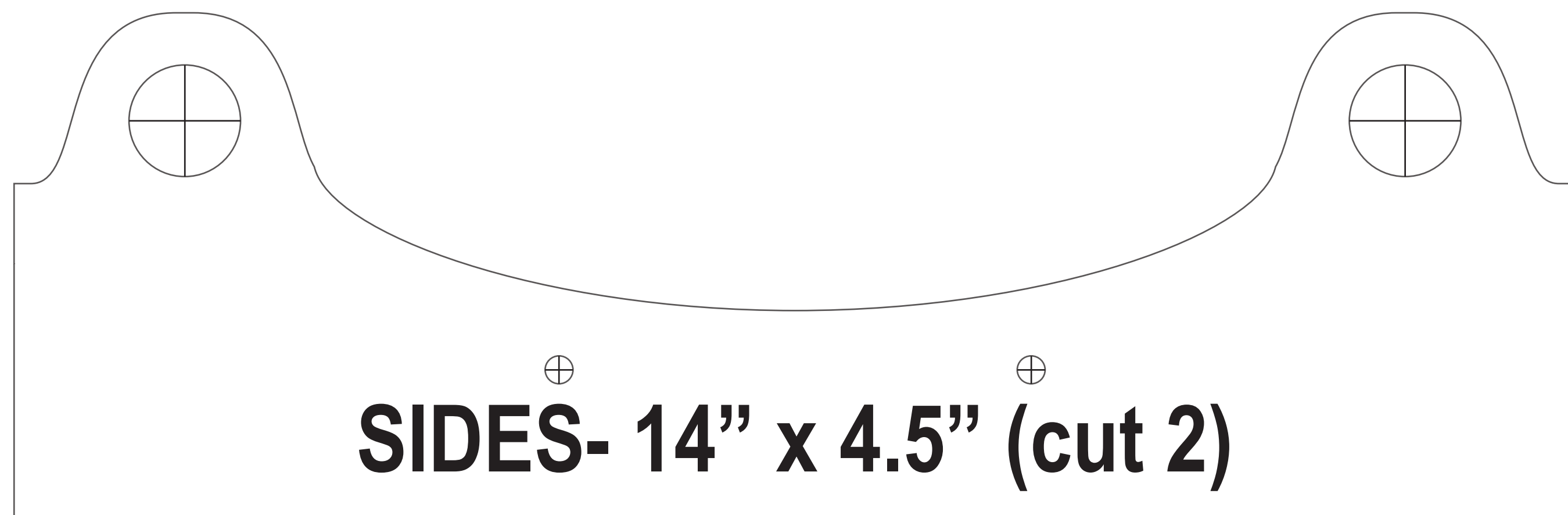
14" box loom with ~1" shed



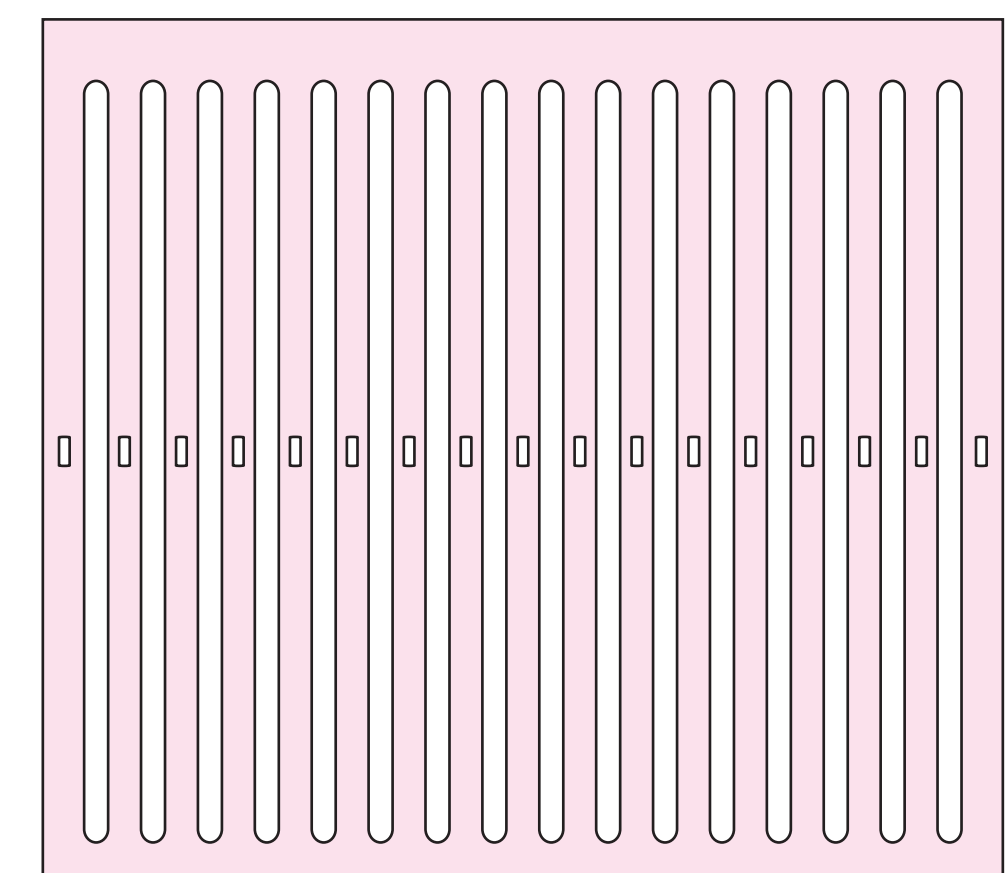
GEARWHEEL
(cut 2)



END CAP
(cut 2)



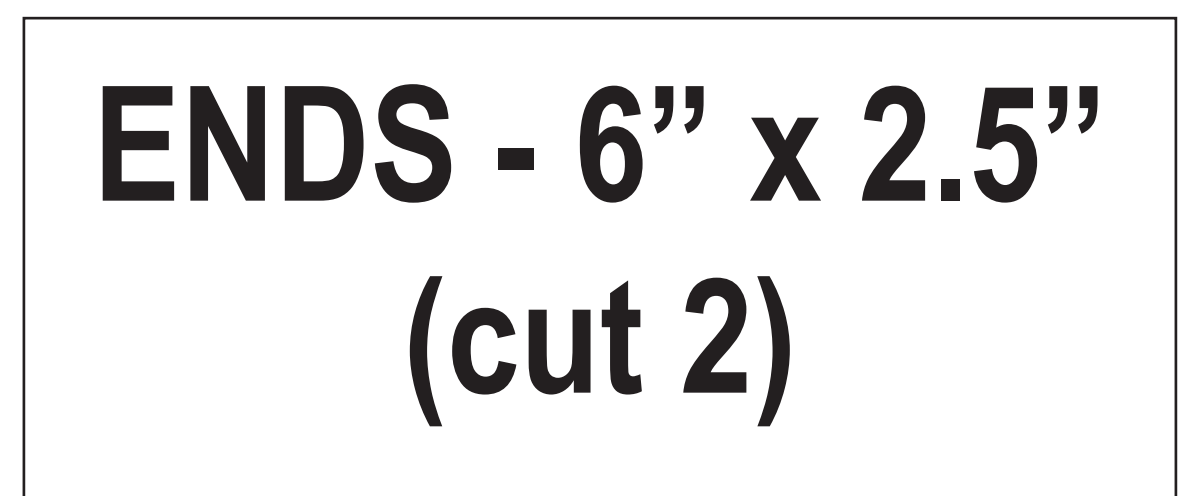
SIDES- 14" x 4.5" (cut 2)



RIGID HEDDLE
5" x 4.5"



BOTTOM
14" x 7"



ENDS - 6" x 2.5"
(cut 2)



PAWL
(cut 2)

Also:
2 8" x 1" dia. dowels